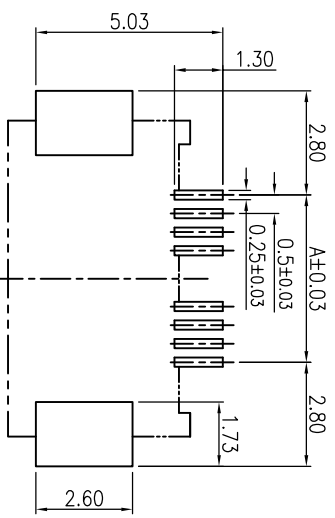
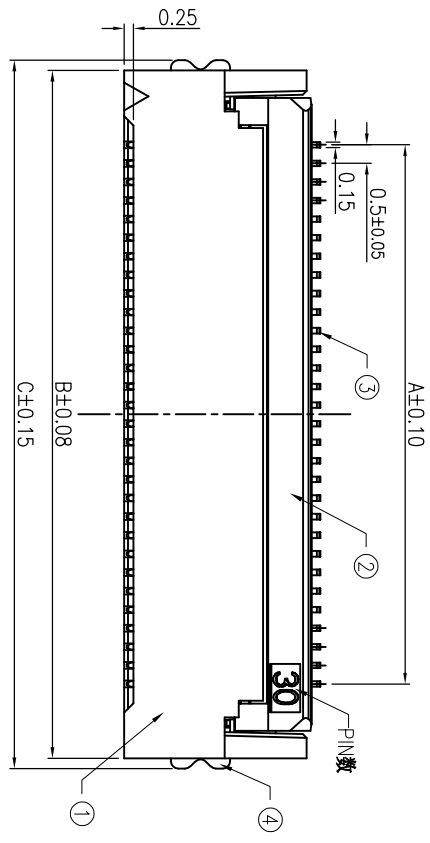
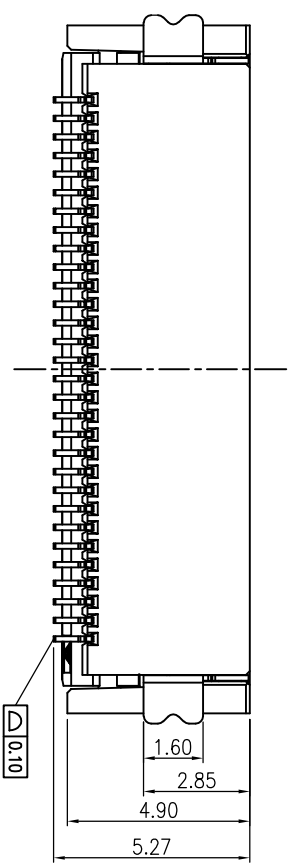
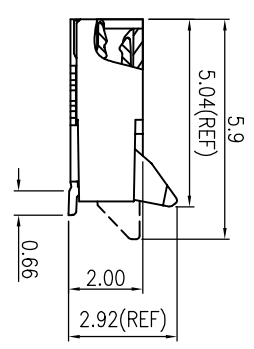
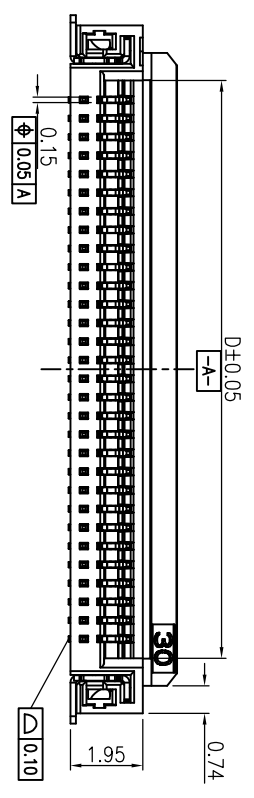


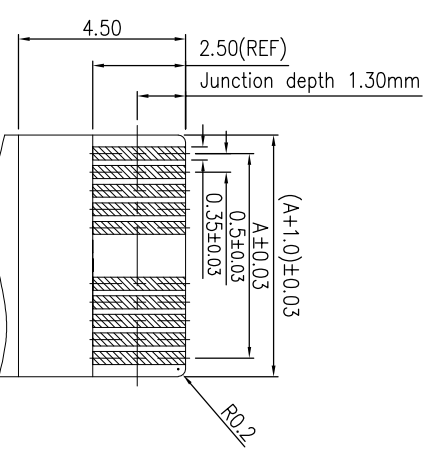
REV.	ECN NO.	LOCAS.	DESCRIPTION	DATE	DESIGN
A			NEW DRAWING		



RECOMMENDED PCB LAYOUT



- NOTES:
- 1.HOUSING: LCP HIGH-TEMP THERMOPLASTIC UL94V-0 COLOR:MATUR
 - 2.ACTOR: PA9T HIGH-TEMP THERMOPLASTIC UL94V-0 COLOR:BLACK
 - 3.TERMINAL:PHOSPHOR BRONZE
 - 4.FITTING: MALLEBRASS
 - 5.SPECIFICATION:
 - PATING:100~150? MATTE-TIN(LEAD FREE)
 - OVERALL 50~100? NICKEL UNDER PLATED.
 - CURRENT RATING: 0.5A 50V AC/DC
 - CONTACT RESISTANCE: 30mΩ MAX
 - INSULATION RESISTANCE: 500MΩ AT 250V DC
 - WITHSTANDING VOLTAGE: 500V AC/minute
 - OPERATING TEMPERATURE RANGE: -25°C~+85°C



APPLICABLE FPC/FPC
T=0.30+0.02

NO.	DIM	A	B	C	D
4	1.50	5.50	6.05	2.55	
5	2.00	6.00	6.55	3.05	
6	2.50	6.50	7.05	3.55	
8	3.50	7.50	8.05	4.55	
9	4.00	8.00	8.55	5.05	
10	4.50	8.50	9.05	5.55	
12	5.50	9.50	10.05	6.55	
13	6.00	10.00	10.55	7.05	
14	6.50	10.50	11.05	7.55	
15	7.00	11.00	11.55	8.05	
16	7.50	11.50	12.05	8.55	
18	8.50	12.50	13.05	9.55	
20	9.50	13.50	14.05	10.55	
24	11.50	15.50	16.05	12.55	
25	12.00	16.00	16.55	13.05	
28	13.50	17.50	18.05	14.55	
30	14.50	18.50	19.05	15.55	
32	15.50	19.50	20.05	16.55	
34	16.50	20.50	21.05	17.55	
36	17.50	21.50	22.05	18.55	
40	19.50	23.50	24.05	20.55	
43	21.00	25.00	25.55	22.05	
45	22.00	26.00	26.55	23.05	
50	24.50	28.50	29.05	25.55	
54	26.50	30.50	31.05	27.55	
60	29.50	33.50	34.05	30.55	
68	33.50	37.50	38.05	34.55	
80	39.50	43.50	44.05	40.55	
96	47.50	51.50	52.05	48.55	

DESIGN: Xiping Huang
CHECK: Ke Tian
APPROVED: Youquan Xu

SHINHWAVECH CO., LTD

TITLE: 0.5mm back flip-lock type h1.2mm FPC/FPC connector

PART NO. 0.5K-CX-NPWB

DIM	TOL	DIM	TOL
X	±0.25	X°	±3.0°
X.X	±0.20	X.X°	
X.XX	±0.15	X.XX°	
X.XXX		X.XXX°	

REV. A SCALE: N/A UNIT: mm SHEET: 1/1