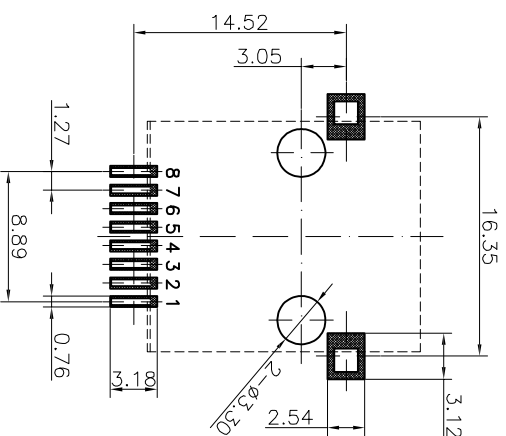
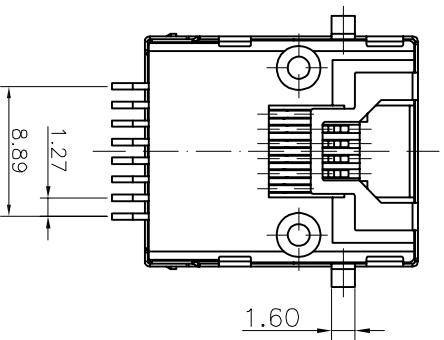
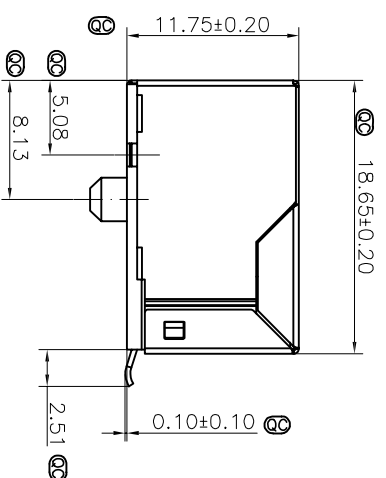
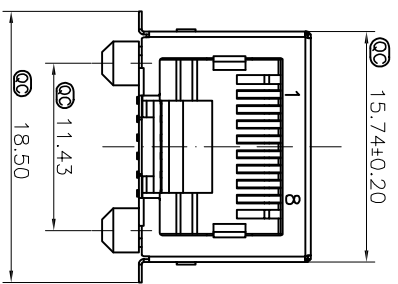
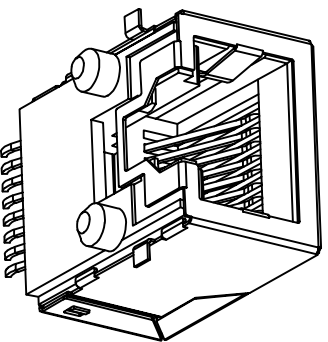


| REV | MODIFICATION | DATE | DRAW | APPROVE |
|-----|--------------|------------|------|---------|
| A | 圖庫更新 | 2012/10/29 | JDL | Oscarr |
| | | | | |
| | | | | |



PCB LAYOUT/TOP VIEW



NOTES:

ELECTRICAL:

- VOLTAGE RATING : 125 VAC RMS.
- CURRENT RATING : 1.5 AMP
- CONTACT RESISTANCE : 50 MILLIOHMS MAX.
- INSULATION RESISTANCE: 500 MEGOHMS MIN @ 500 VDC.
- DIELECTRIC STRENGTH : 500 VAC RMS 50Hz, 1MIN.

MECHANICAL:

- HOUSING MATERIAL : NYLON(PA46)+30%G.F UL94V-0.
- CONTACT MATERIAL : PHOSPHOR BRONZE T=0.35mm (G2210)
: GOLD-PLATED IN THE CONTACT AREA
- PLATING
- SHIELD COPPER ALLOY(OR STEEL ALLOY) 0.20mm THICKNESS
- OPERATING LIFE : 750 CYCLES MIN.
- PCB RETENTION PRE-SOLDER : 1 LB MIN.
- PCB RETENTION POST-SOLDER: 10 LBS MIN.

ENVIRONMENTAL:

- STORAGE : -40°C TO +85°C.
- OPERATION: 0°C TO +70°C.
- IR REFLOW PEAK SOLDERING TEMPERATURE:255°C~265°C 5~10 SECONDS.
- ROHS COMPLIANT
- FCC PART 68, SUBPART F.
- MATES WITH MODULAR PLUG CONFORMING TO

PART NUMBER: SMTB-S1188D-H2X

GOLD PLATING U"
1-3u" 2-6u" 3-15u" 4-30u"

| | | | | | |
|--------------------------------------|------------|--|---------------------------|-------|-----------|
| DIMENSION IN mm [Inch] | | Shinhwa Tech Co., LTD | | | |
| TOLERANCE UNLESS OTHERWISE SPECIFIED | | | | | |
| .X± 0.20 | X.*± 1° | FILE NO. | DWG NO. YL SMTB-S1188D-H2 | | |
| .XXX± 0.15 | .X.*± 0.5° | TITLE SMT 1X1 8P8C PCB JACK WITH SHIELDED Very Low Profile,H=11.75MM,SIDE ENTRY,FLAT PIN | | | |
| .XXX± 0.075 | | APPROVE | CHECK | DRW | Oscarr |
| | | | | PROJ. | SCALE 1:1 |
| | | | | SHEET | SIZE A3 |
| | | | | REV | REV A |